

ROTAPULS

Incremental encoder

Series

C82



- Encoder for elevator motors
- Precise optical sensing
- Operating temperature up to -40°C $+100^{\circ}\text{C}$
- Resolution from 12 to 4096 PPR
- Hollow shaft from \varnothing 30 to \varnothing 44 mm



C82

ENVIRONMENTAL SPECIFICATIONS

Shock:	100 g, 6 ms
Vibrations:	10 g, 5-2000 Hz
Protection:	IP54
Operating temperature range:	-25°C $+85^{\circ}\text{C}$ (-13°F $+185^{\circ}\text{F}$)
Storage temperature range:	-25°C $+85^{\circ}\text{C}$ (-13°F $+185^{\circ}\text{F}$) (98% R.H. without condensation)
Options:	<ul style="list-style-type: none">• Operating temperature range: -40°C $+100^{\circ}\text{C}$ (-40°F $+212^{\circ}\text{F}$)• IP65 Protection (2000 rpm max, torque 2 Ncm)

MECHANICAL SPECIFICATIONS

Dimensions:	see drawing
Shaft hollow:	\varnothing 30, 34, 35, 38, 40, 42, 44 mm
Reducing sleeves, BR2-xx from \varnothing 30 mm to:	\varnothing 15, 5/8" (15,875), 16, 17, 18, 19, 20, 22, 23, 24, 1" (25,4), 28 mm
Shaft loading:	axial: 100 N max. radial: 200 N max.
Shaft rotational speed:	max. 2000 rpm@ 70°C (158°F)/IP54, 3000 rpm@ 100°C (212°F)/IP54 max. 1500 rpm@ 70°C (158°F)/IP65, 2000 rpm@ 100°C (212°F)/IP65
Starting torque at 20°C :	$4 \div 12$ Ncm (typical)
Misalignment:	$\pm 0,3$ mm radial $\pm 0,2$ mm axial
Bearings life:	400×10^6 rev. min. (10^9 rev. min. with 20 N shaft loading max.)
Electrical connections:	M23 12 pin plug or cable output 1 m (3.3 ft)
Weight:	$\sim 0,3$ g (10,6 oz)
Option:	<ul style="list-style-type: none">• additional cable

ELECTRICAL SPECIFICATIONS

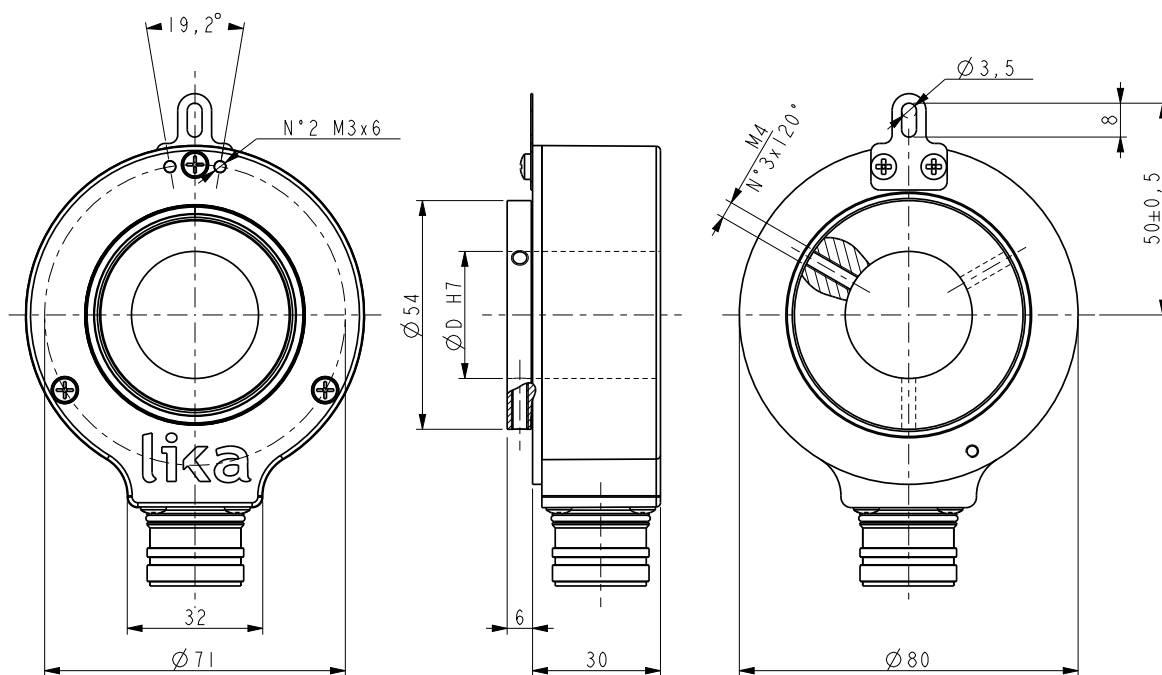
Resolution (PPR):	12-100-300-400-500-1024-2000-2048-2500-4096
Counting frequency:	100 kHz max.
Output circuits:	Push-Pull, Line Driver, Universal circuit
Power supply:	$+5\text{V} \pm 5\%$, $+10\text{V} +30\text{V}$, $+5\text{V} +30\text{V}$
Consumption:	70 mA (typical)
Output current (each channel):	40 mA max.
Protection:	against inversion of polarity and short-circuit (except L circuit)
EMC:	electro-magnetic immunity, according to: EN 61000-4-2 EN 61000-4-4
Optoelectronic life:	100.000 hrs min.
Option:	<ul style="list-style-type: none">• Output freq. 200 kHz max.

MATERIALS

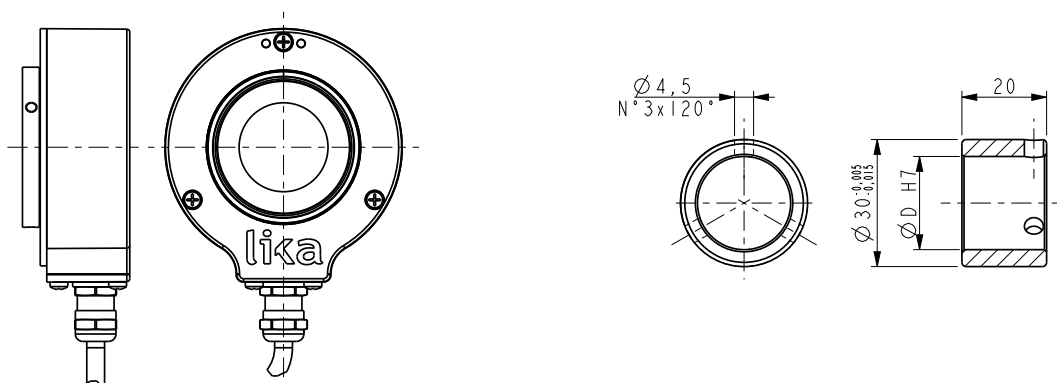
Flange:	anticorrosive, UNI EN AW-6082
Housing:	die cast aluminium, UNI EN AC-46100
Bearings:	ABEC 5
Shaft:	stainless steel, non-magnetic, UNI EN 4305
Light source:	GaAl diodes

ACCESSORIES

EPFL121:	M23 12 pin mating connector
BR2-xx:	reducing sleeves



C82



BR2-xx

Order code

C82	-	X a	-	XXXXX b	XXX c	XX d	XX e	X f	X g	X h	XX i	/Sxxx j
-----	---	--------	---	------------	----------	---------	---------	--------	--------	--------	---------	------------

a OUTPUT CIRCUITS

Y = Push Pull
L = Line Driver (RS422)
H = PP/LD universal circuit

b RESOLUTION (PPR)

See electrical specifications

c OUTPUT SIGNALS / CONNECTIONS

BNF = AB, cable output
ZNF = ABO, cable output
BCU = AB /AB, cable output
ZCU = ABO /ABO, cable output
BCZ = AB /AB, M23 12 pin plug
ZCZ = ABO /ABO, M23 12 pin plug

d SUPPLY VOLTAGE

1 = +5V±5% (L output circuit)
2 = +10V÷ +30V (Y output circuit)
4 = +5V÷ +30V (H output circuit)

e SHAFT DIAMETER

30 = 30 mm
34 = 34 mm
35 = 35 mm
38 = 38 mm
40 = 40 mm
42 = 42 mm
44 = 44 mm (43,97)

f PROTECTION

- = IP64 protection (standard)
P = IP65 protection

g COUNTING FREQUENCY

- = 100 kHz (standard)
W = 200 kHz

h OPERATING TEMPERATURE

- = -25°C +85°C (-13°F +185°F)
K = -40°C +100°C (-40°F +212°F)

i CABLE LENGTH

- = cable output 1 m
L2 = cable output 2 m
L7 = cable output 7 m
Lx = cable output x m
CLx = x m cable with DSub 9 pin inline plug

j CUSTOM VERSION